



BERGSLI

Hantek AS

Adjustable Blade Snow Plough

(ASP)

The Adjustable Snow Plough fits to the truck by the following means.

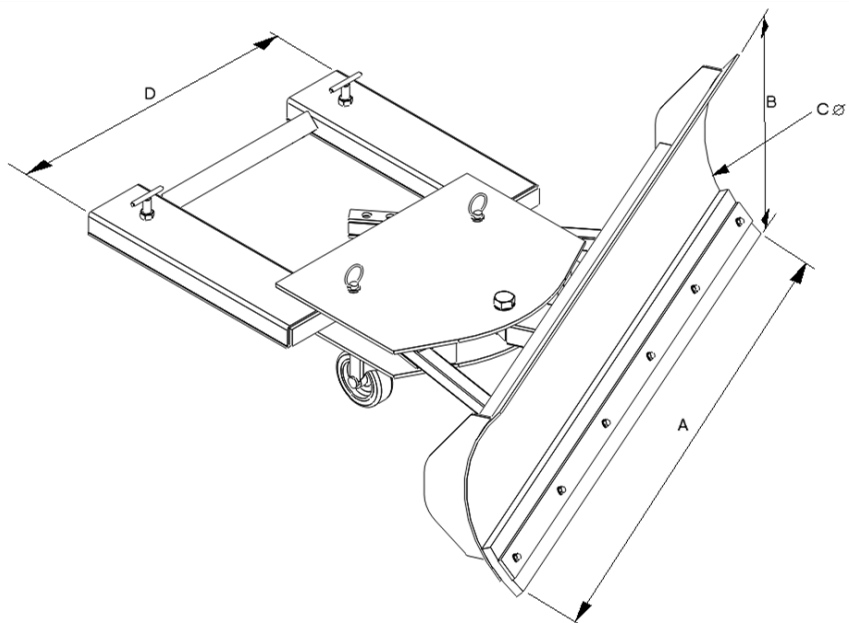
Simply; ensure the screw clamps on the pockets are unscrewed to allow the forks to enter. Drive the truck into the pockets as far as possible, then simply tighten the clamps, ensuring adequate retention is achieved.

To adjust the blade angle; remove the lynch pins from the 2 removable drop pins, then move the blade to the desired position. Replace both drop pins and re-fit the lynch pins.

Adjustable Snow Ploughs allow simple adjustment enabling the plough to sweep left, right or straight ahead. Castors and rubber blade inserts are fitted as standard.

| Model Ref | A | B | C | D | Max Fork Size |
|------------|--------|-------|-------|-------|---------------|
| ASP-1525RC | 1525mm | 550mm | 380mm | 804mm | 140mm x 50mm |
| ASP-1830RC | 1830mm | 550mm | 380mm | 804mm | 140mm x 50mm |
| ASP-2130RC | 2130mm | 550mm | 380mm | 804mm | 140mm x 50mm |

| Model Ref | Weight |
|------------|---------|
| ASP-1525RC | 133kgs |
| ASP-1830RC | 142kgs |
| ASP-2130RC | 1150kgs |



BERGSLI Hantek AS

Postadresse: Postboks 2553 Kjørbeek, 3702 Skien, Norway | Besøksadresse: Bedriftsveien 64, 3735 Skien, Norway

Telefon: 3550 3550 | Web: www.hantek-as.no