



BERGSLI

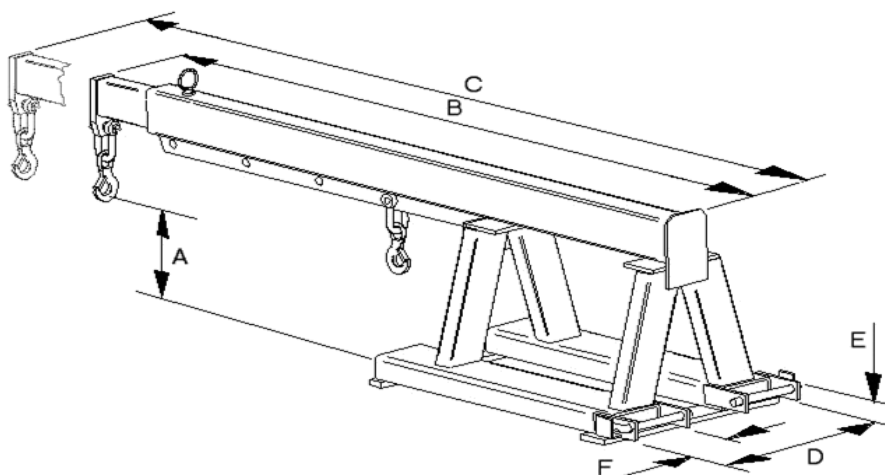
Hantek AS

Raised Extender Jib

(FMX)

The Fork Mounted Extending Jib offers the flexibility to handle varying loads at different load centres. The manually extendable inner beam can be moved to suit your desired load centre and offer a solution to previously inaccessible loads. To fit, simply drive slowly forwards into the attachment, until the truck forks are fully sleeved, then simply fit the heel pins provided behind the forks to retain the attachment. Ensure the attachment is fully secured before lifting commences.

Fork Mounted Extending Jibs allow transportation of long loads. The two hooks provided allow loads to be slung at greater centres than with conventional fixed jibs. The greater length available allows loads to be picked up from otherwise inaccessible areas. Supplied with two swivel hooks. This jib is *Manual Extension*.



Capacity (kgs) @ Load Centre (mm)

Model Ref	1000	1250	1500	1750	2000	2250	2500	2750	3000
500-1.8	1100	900	720	580	500	360	330	260	210
500-2.2	1400	1100	1000	850	750	560	440	320	230
500-2.7	1450	1200	1100	900	840	670	490	360	270
500-3.1	1900	1500	1200	1000	900	730	580	450	370
500-3.5	2000	1600	1300	1100	1000	820	670	540	460
500-4.4	2700	2200	1850	1400	1100	900	750	620	500

Model Ref	Truck Capacity	"A"	"B"	"C"	"D"	"E"	"F"
		Hook Height	Closed Length	Open Length	Fork Spread	Fork Thickness	Fork Width
500-1.8	2000kgs	191mm	2000mm	3000mm	496mm	50mm	125mm
500-2.2	2500kgs	193mm	2000mm	3000mm	496mm	50mm	125mm
500-2.7	3000kgs	176mm	2000mm	3000mm	546mm	50mm	150mm
500-3.1	3500kgs	163mm	2000mm	3000mm	546mm	50mm	150mm
500-3.5	4000kgs	137mm	2000mm	3000mm	546mm	50mm	150mm
500.4.4	5000kgs	128mm	2000mm	3000mm	546mm	50mm	150mm

BERGSLI Hantek AS

Postadresse: Postboks 2553 Kj rbekk, 3702 Skien, Norway | Bes ksadresse: Bedriftsveien 64, 3735 Skien, Norway

Telefon: 3550 3550 | Web: www.hantek-as.no