



BERGSLI

Hantek AS

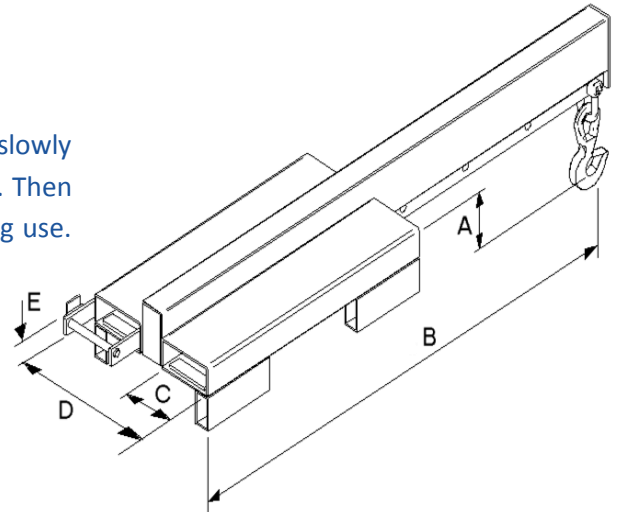
Low Liner Forklift Jib

(LLJ)

The low liner jib fits quickly to a forkltruck.

Simply; set the truck forks to the required fork spread, then drive slowly forwards into the attachment sleeves until the forks are fully sleeved. Then fit the heel pin behind the truck forks to retain the attachment during use. Ensure the attachment is fully secured before lifting.

Low Liner Jibs are an inexpensive way of achieving a longer reach capability. Useful for picking up products that are difficult to palletise or for handling motors, press tools etc. Supplied with hook and shackle which can be moved to any lifting position.



Capacity (kgs) @ Load Centre (mm)

Model Ref	500	750	1000	1250	1500	1750
500-0.8	800	650	500	380	310	230
500-1.0	1000	800	630	470	390	280
500-1.3	1300	900	680	500	450	380
500-1.8	1800	1400	1100	900	720	580
500-2.2	2200	1800	1400	1100	1000	850
500-2.7	2700	2050	1450	1200	1100	900
500-3.1	3100	2500	1900	1500	1200	1000
500-3.5	3500	2700	2000	1600	1300	1100
500-4.4	4400	3400	2700	2200	1850	1400

Model Ref	Truck Capacity	"A" Hook Height	"B" Last Hole	"C" Max Fork Width	"D" Fork Spread	"E" Fork Thickness
500-0.8	1000kgs	289mm	1750mm	125mm	365mm	50mm
500-1.0	1300kgs	289mm	1750mm	125mm	365mm	50mm
500-1.3	1500kgs	289mm	1750mm	125mm	365mm	50mm
500-1.8	2000kgs	339mm	1750mm	125mm	365mm	50mm
500-2.2	2500kgs	354mm	1750mm	150mm	440mm	50mm
500-2.7	3000kgs	364mm	1750mm	150mm	440mm	50mm
500-3.1	3500kgs	364mm	1750mm	150mm	440mm	50mm
500-3.5	4000kgs	414mm	1750mm	150mm	440mm	50mm
500.4.4	5000kgs	438mm	1750mm	150mm	510mm	50mm

BERGSLI Hantek AS

Postadresse: Postboks 2553 Kjørbekk, 3702 Skien, Norway | Besøksadresse: Bedriftsveien 64, 3735 Skien, Norway

Telefon: 3550 3550 | Web: www.hantek-as.no