



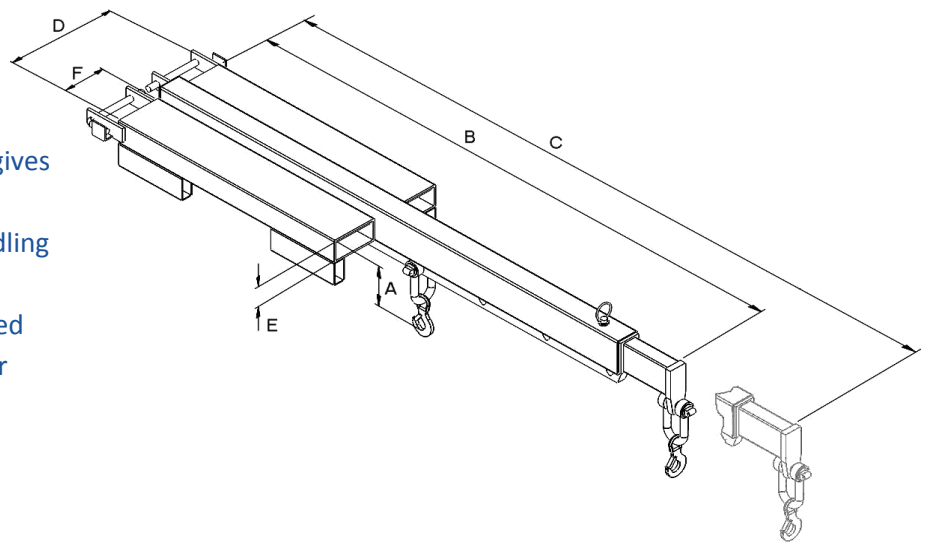
BERGSLI

Hantek AS

Tele Liner Extender Jib

(LLX)

The Tele-Liner jib offers a solution to the handling of previously inaccessible loads. To fit; simply remove the attachment heel pin and drive the truck slowly forwards until the forks are fully sleeved. Then simply re-fit the heel pin behind the forks of the truck. Ensure the jib is fully secured before lifting commences.



Tele-Liner jibs are an inexpensive jib that gives longer reach capabilities for picking up products that are un-palletised or for handling motors, press tools etc, from normally inaccessible positions. The jib has the added feature of a mechanically extendable inner section of extra reach. Supplied with two hooks and shackles.

Capacity (kgs) @ Load Centre (mm)

Model Ref	500	750	1000	1250	1500	1750	2000	2250	2500	2750	3000
500-1.8	1800	1400	1100	900	720	580	500	360	330	260	210
500-2.2	2200	1800	1400	1100	1000	850	750	560	440	320	230
500-2.7	2700	2050	1450	1200	1100	900	840	670	490	360	270
500-3.1	3100	2500	1900	1500	1200	1000	900	730	580	450	370
500-3.5	3500	2700	2000	1600	1300	1100	1000	820	670	540	460
500-4.4	4400	3400	2700	2200	1850	1400	1100	900	750	620	500

Model Ref	Truck Capacity	"A"	"B"	"C"	"D"	"E"	"F"
		Hook Height	Closed Length	Open Length	Fork Spread	Fork Thickness	Fork Width
500-1.8	2000kgs	339mm	2000mm	3000mm	385mm	50mm	125mm
500-2.2	2500kgs	354mm	2000mm	3000mm	385mm	50mm	125mm
500-2.7	3000kgs	364mm	2000mm	3000mm	520mm	50mm	150mm
500-3.1	3500kgs	364mm	2000mm	3000mm	520mm	50mm	150mm
500-3.5	4000kgs	414mm	2000mm	3000mm	520mm	50mm	150mm
500-4.4	5000kgs	432mm	2000mm	3000mm	530mm	50mm	150mm

BERGSLI Hantek AS

Postadresse: Postboks 2553 Kjørbekk, 3702 Skien, Norway | Besøksadresse: Bedriftsveien 64, 3735 Skien, Norway

Telefon: 3550 3550 | Web: www.hantek-as.no