

BERGSLI

Hantek AS

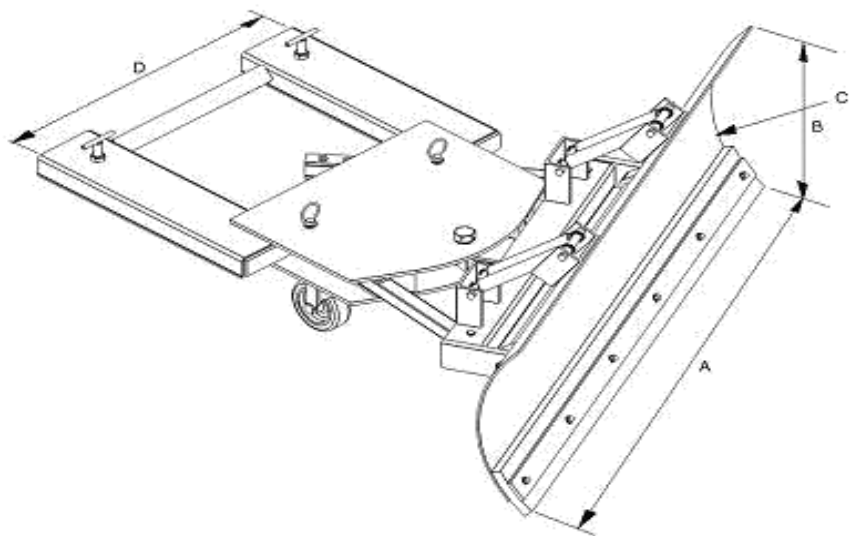
Sprung Loaded Snow Plough (SSP)

Sprung Snow Ploughs are ideal for clearing areas where hidden objects are likely to be encountered. Spring loaded blade minimises damage to the plough and objects such as manhole covers etc.

The Sprung Snow Plough slides onto the forks of the truck, to secure simply tighten the two screw clamps. The blade can be positioned from fully left to fully right to suit your needs. To adjust remove the lynch pins from the drop pins and using two hands move the blade to the desired angle, then simply refit the pins. The attachment should be used with the lift chains taught, thus supporting the weight of the forks and attachment, castors should be just in contact with the ground.

Model Ref	A	B	C	D	Max Fork Size
SSP-1525RC	1525mm	550mm	380mm	804mm	140mm x 50mm
SSP-1830RC	1830mm	550mm	380mm	804mm	140mm x 50mm
SSP-2130RC	2130mm	550mm	380mm	804mm	140mm x 50mm

Model Ref	Weight
SSP-1525RC	160kgs
SSP-1830RC	170kgs
SSP-2130RC	180kgs



BERGSLI Hantek AS

Postadresse: Postboks 2553 Kjørbekk, 3702 Skien, Norway | Besøksadresse: Bedriftsveien 64, 3735 Skien, Norway

Telefon: 3550 3550 | Web: www.hantek-as.no